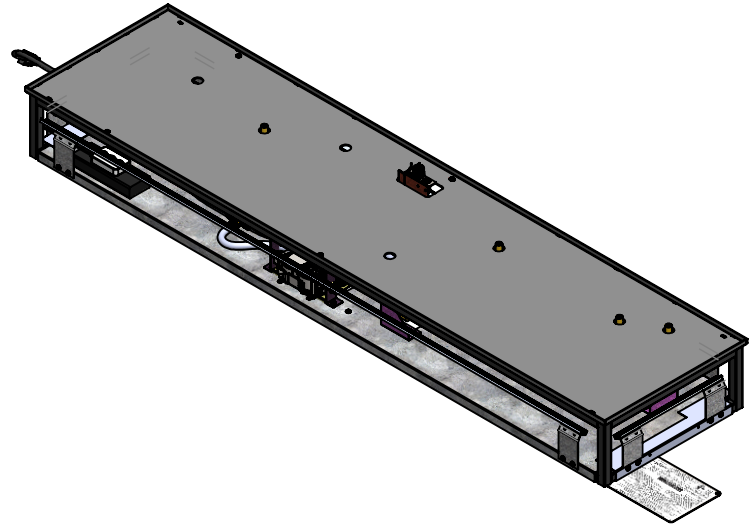


2

1

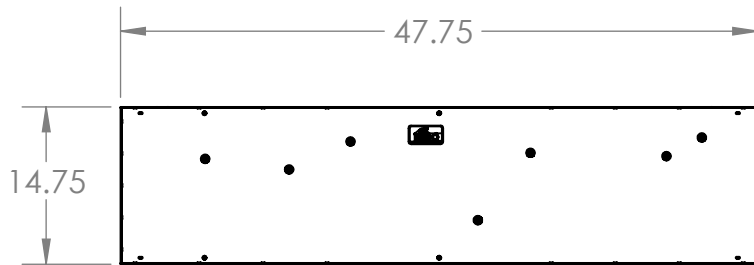
POWER REQUIREMENTS	VOLTS		AC 120 v @ 60Hz
	BATTERY BACKUP		4+ aa BATTERY 6v
LAMPS	LED 5v RGB		WS2811 DIODES
	IR REMOTE CONTROLLER		
	CUSTOMIZABLE WIFI APP		
PROFLAME II SYSTEM	5 LEVELS OF FLAME INTENSITY		
	REMOTE CONTROLLED IGNITION		
	VENTED CONFIGURATION ONLY		
	SPARK TO PILOT IGNITION		
HEATING OUTPUT	MAXIMUM HEAT	62,000 BTU/hr	18.17 kW
	MINIMUM HEAT (EN)	45,000 BTU/hr	13.19 kW
	MINIMUM HEAT (EP)	30,000 BTU/hr	8.79 kW

NOTE:  
EN- NATURAL GAS  
EP- PROPANE



B

B

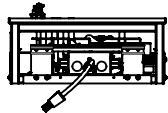


MINIMUM FIRE BOX DIM. (INCHES)		
WIDTH	DEPTH	HEIGHT
48	15	20

A

A

LEFT VIEW



POWER OUT



6.10

RIGHT VIEW



GAS OUT



TITLE:

TRADITIONAL  
LINEAR DROP IN BURNER  
LDBT48-EN, LDBT48-EP

SIZE

**A**

DWG. NO.

LDBT48-XX

REV

A

SCALE: N/A WEIGHT:

SHEET 1 OF 1

2

1