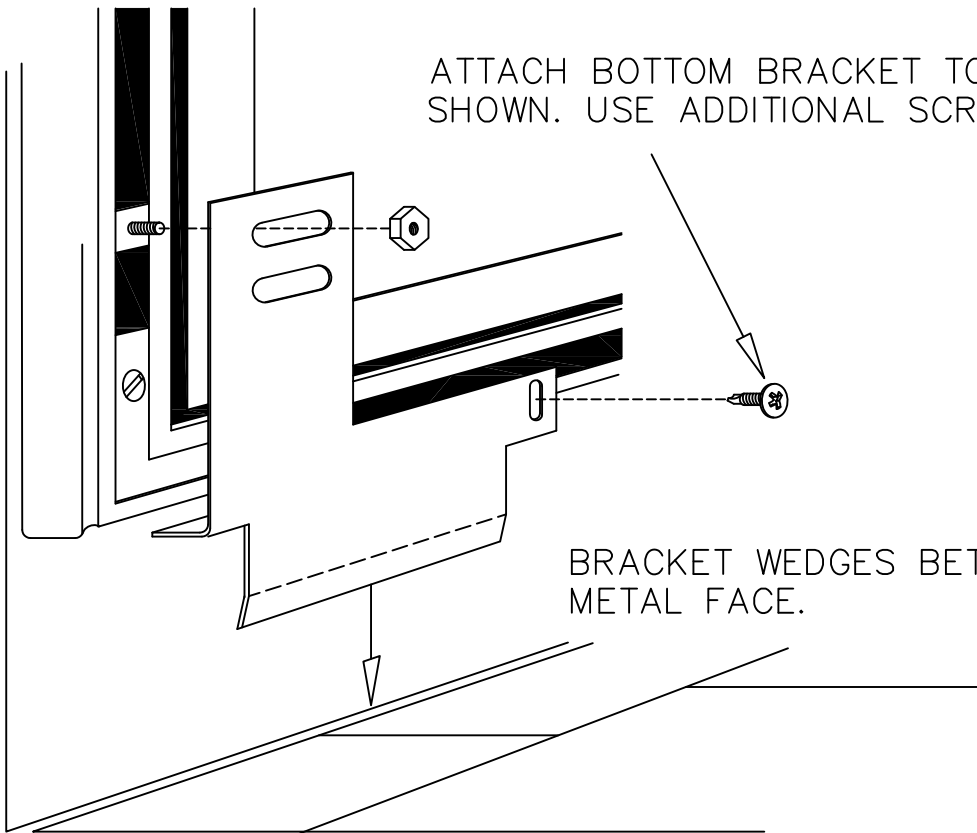


ATTACH BOTTOM BRACKET TO BACK OF DOOR AS SHOWN. USE ADDITIONAL SCREW FOR EXTRA STRENGTH.



BRACKET WEDGES BETWEEN REFRACTORY AND METAL FACE.