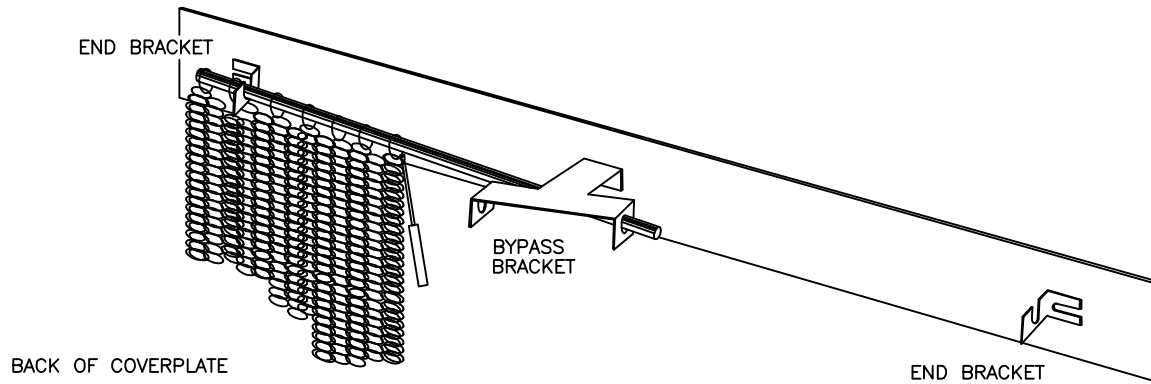


DESIGN SPECIALTIES

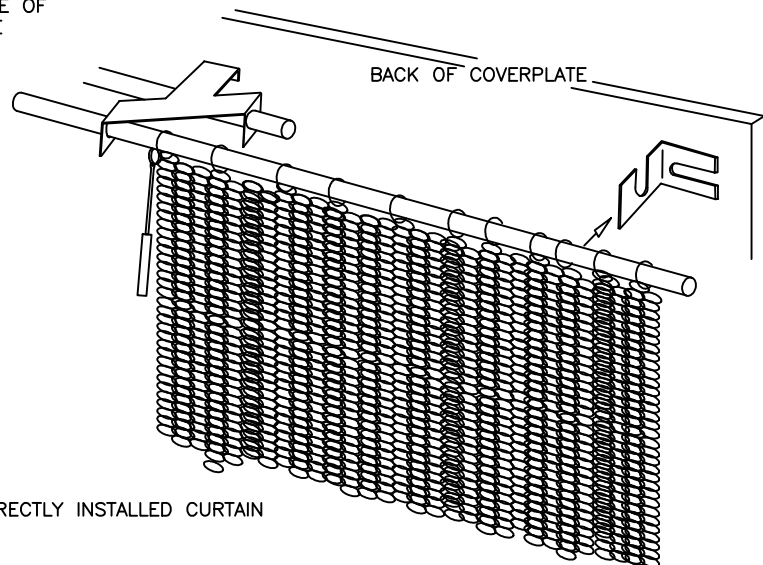
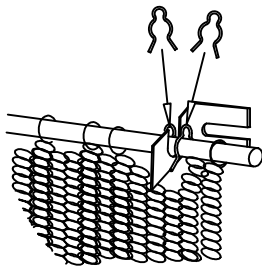
TO INSTALL CURTAINS ON THE VALANCE



NOTE: CURTAINS ARE INSTALLED AFTER THE COVERPLATE IS SECURED TO THE OPENING.

1. INSERT RIGHT ROD INTO THE LEFT SIDE OF THE BYPASS BRACKET AS SEEN FROM THE FRONT.
2. STARTING WITH THE PULL HANDLE ON THE CURTAIN, SLIDE RINGS ONTO ROD.
3. LIFT ROD UP AND PLACE RIGHT END OF ROD INTO END BRACKET KEEPING THE LAST OR SECOND LAST CURTAIN RING TO THE OUTSIDE OF THE BRACKET.
4. SLIDE THE ROD OUTWARD UNTIL IT CONTACTS THE SIDES OF THE FIREPLACE.
5. USE THE ROD RETAINERS TO KEEP THE ROD FROM SLIDING IN THE HOLDERS. PLACE ONE ON EACH SIDE OF THE END BRACKETS AS SHOWN
6. REPEAT THIS PROCEDURE FOR THE RIGHT SIDE ROD.
INSTALLED CORRECTLY, THEY WILL OVERLAP AT THE CENTER WHILE CLOSED.

PLACE RETAINERS OVER ROD ON EACH SIDE OF THE END BRACKET TO KEEP ROD IN PLACE



CORRECTLY INSTALLED CURTAIN